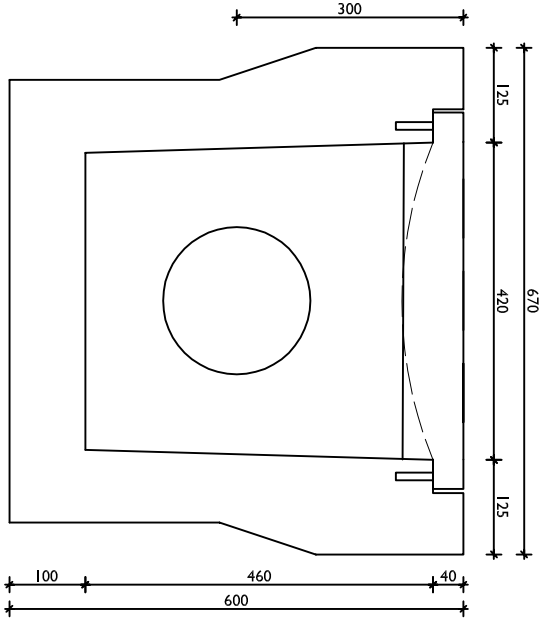
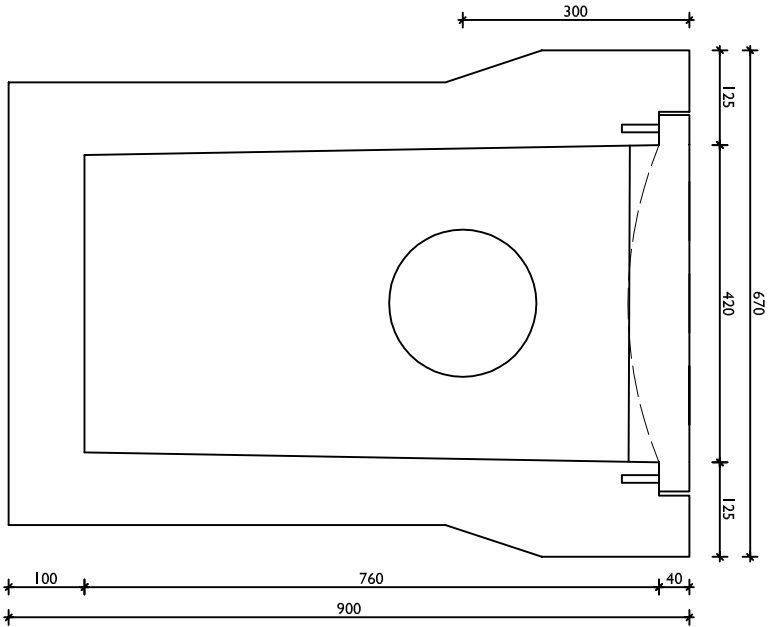


BG-WR H = 600



BG-WR H = 900



BG-WR H = 1200

